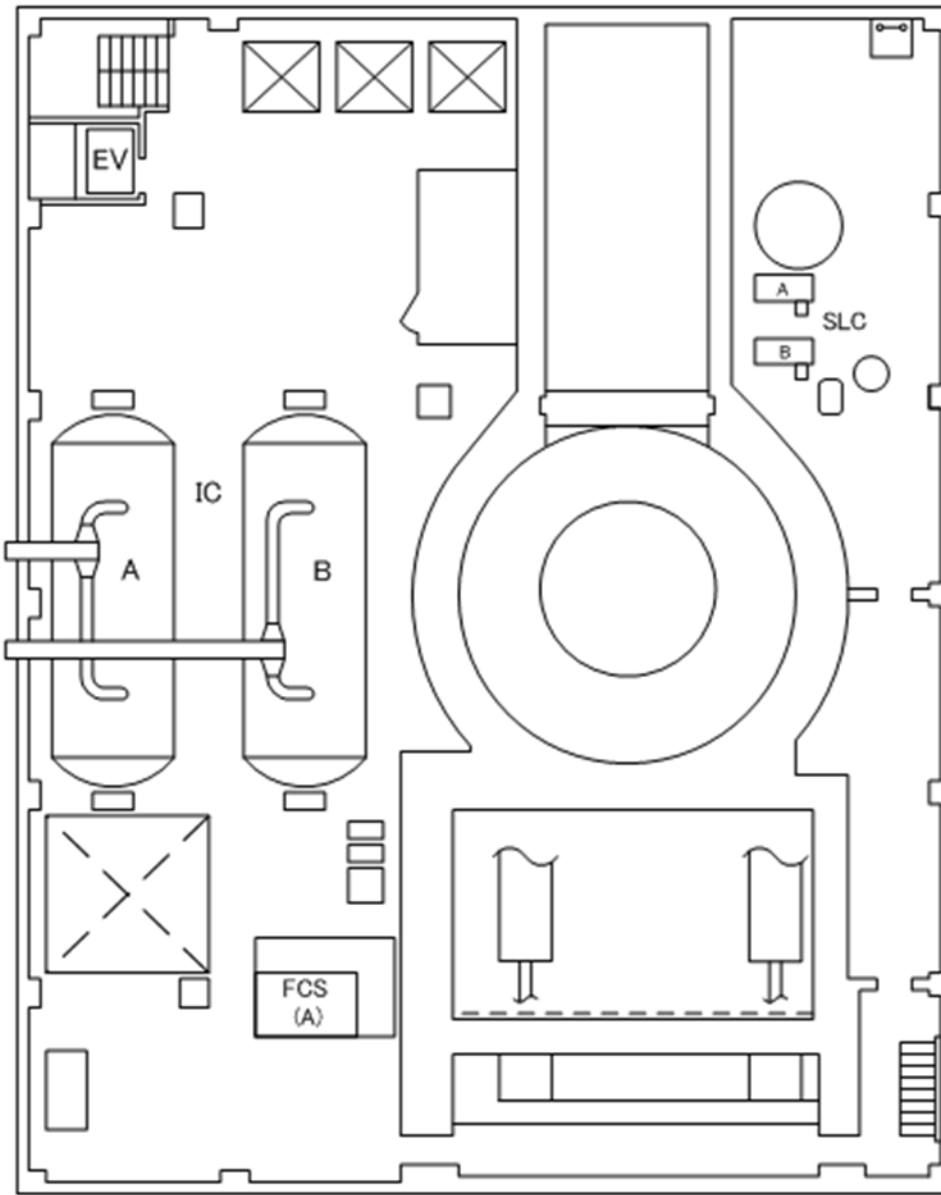
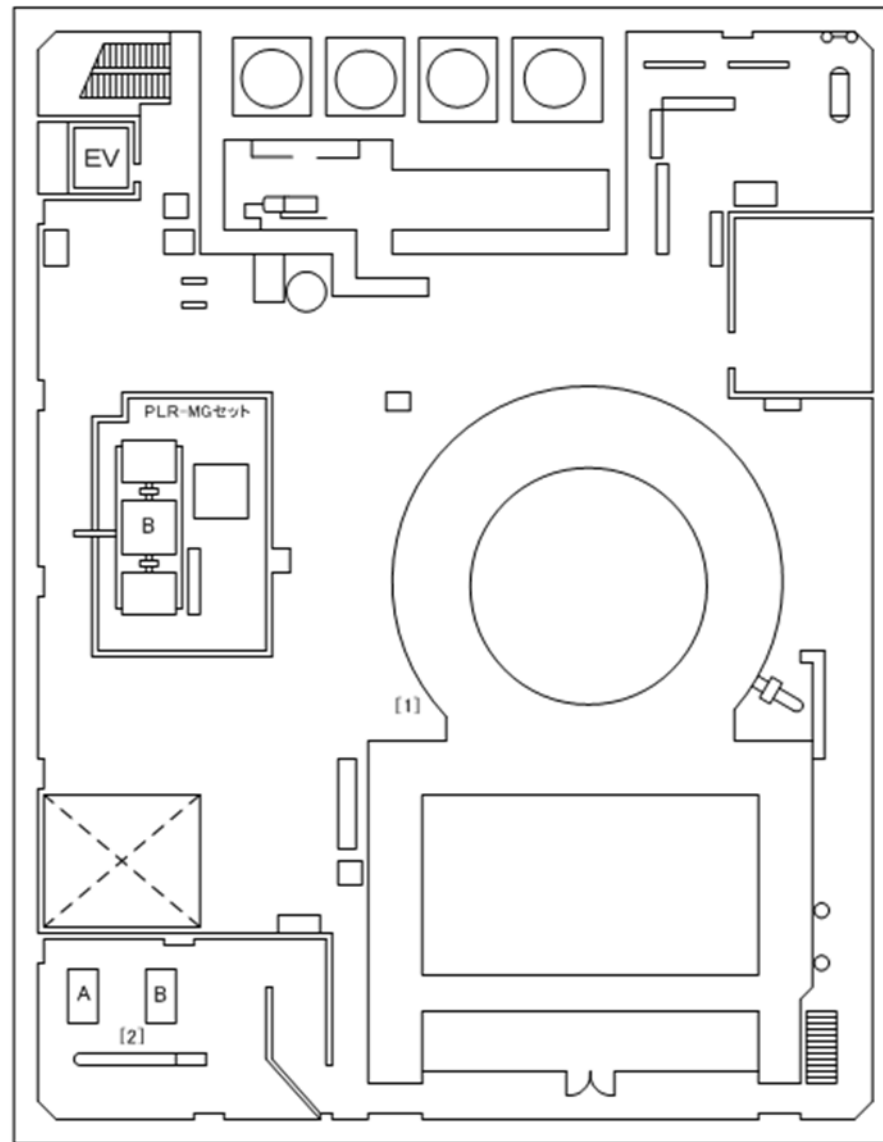


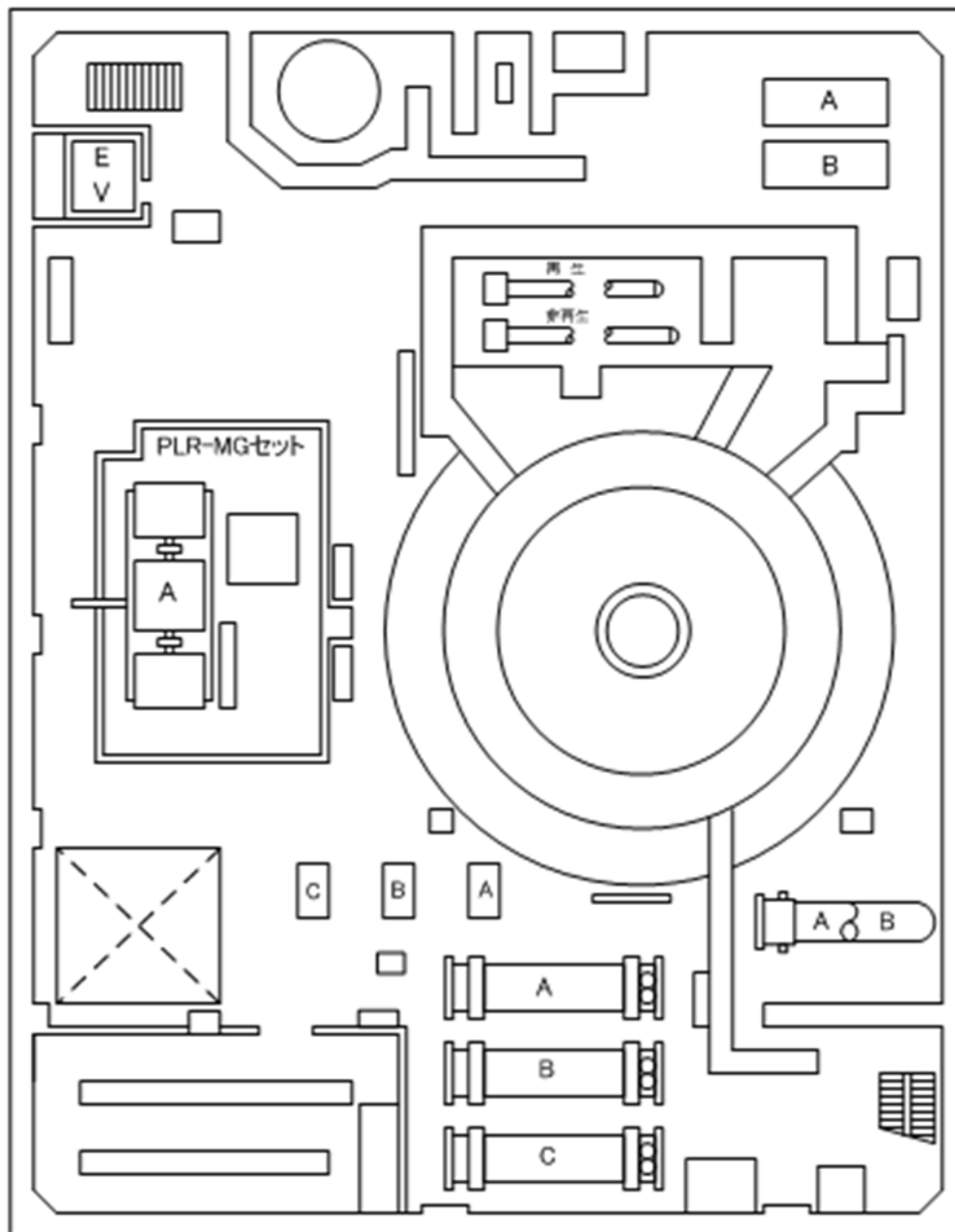
Unit1 R/B 5th fl.



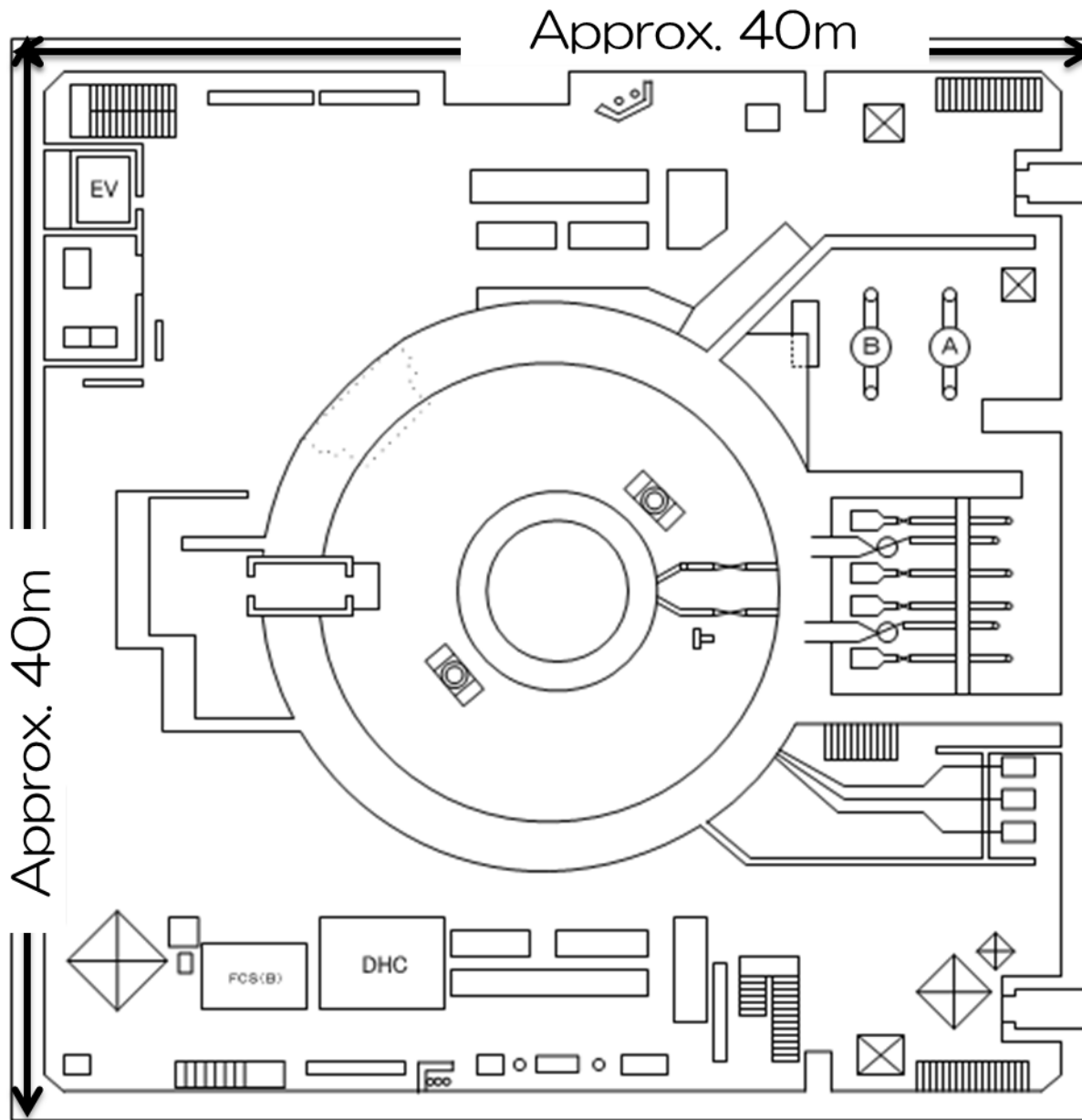
Unit1 R/B 4th fl.



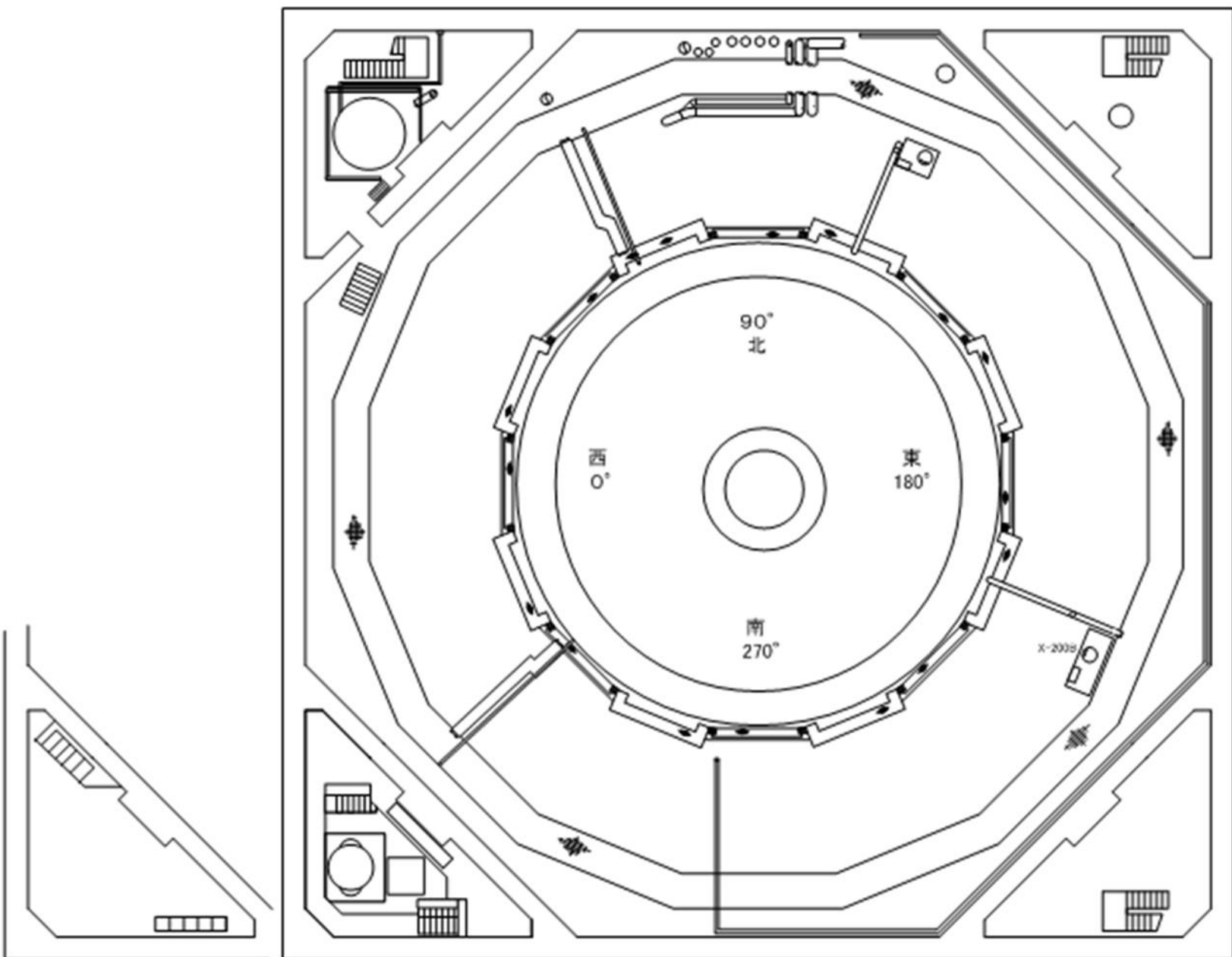
Unit1 R/B 3rd fl.



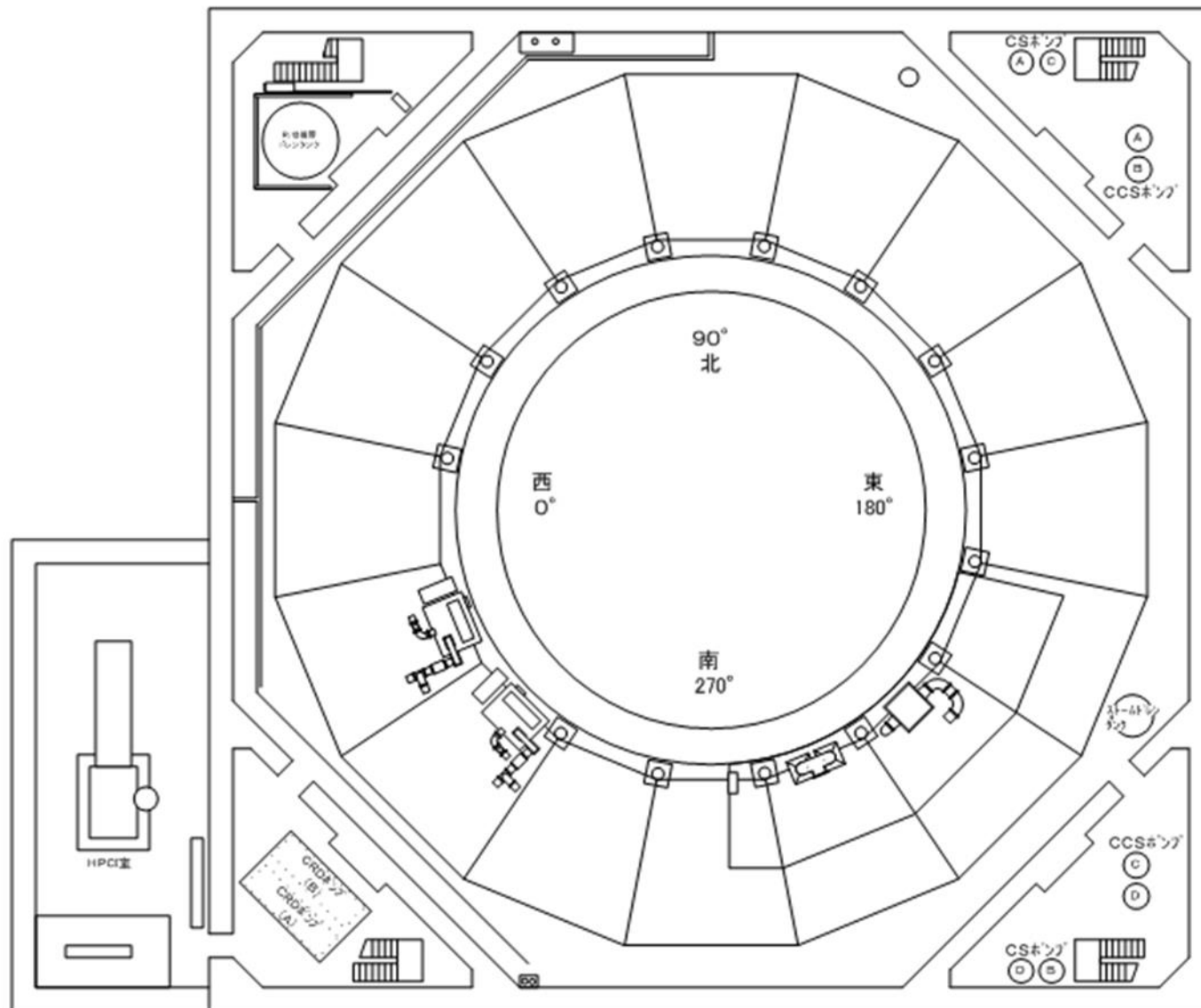
Unit1 R/B 2nd fl.



Unit1 R/B 1st fl.



Unit1 R/B Middle Basement fl. 1



Unit1 R/B Basement fl. 1